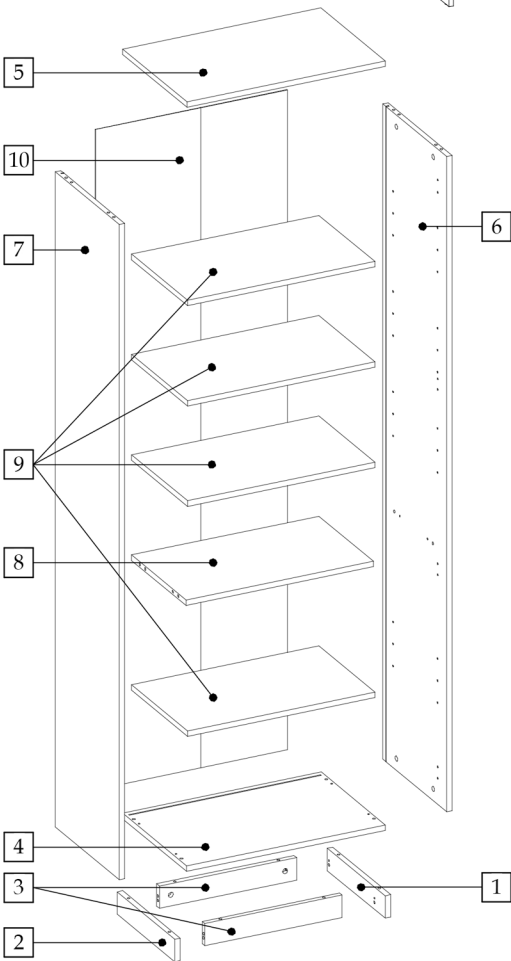


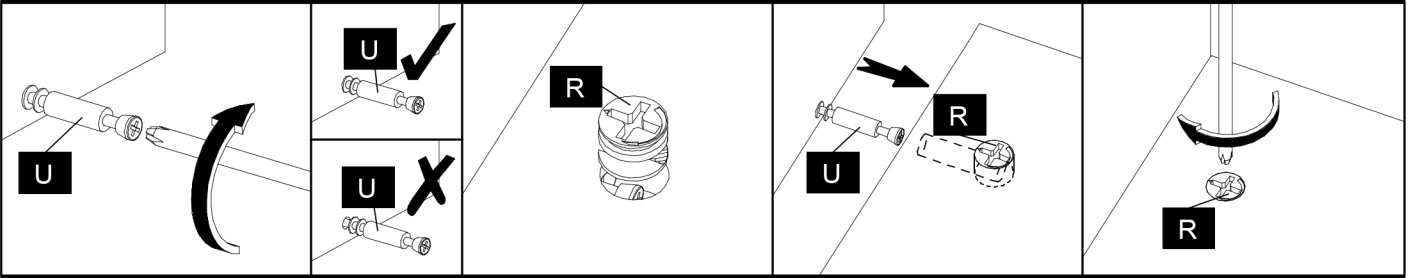
DELIS

Typ V2   60 min

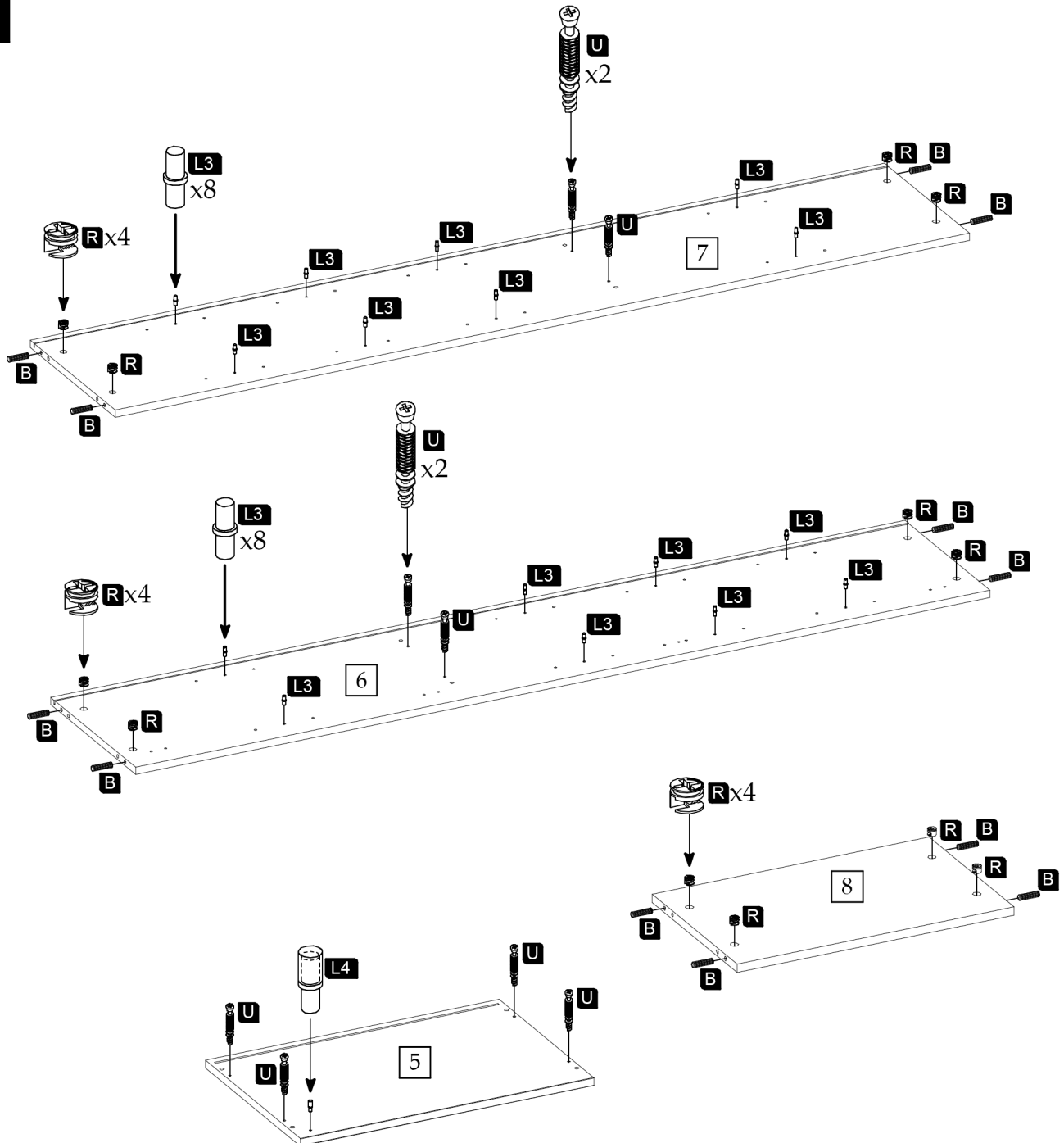


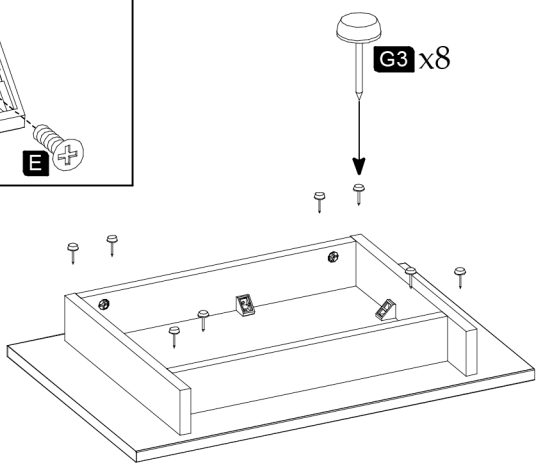
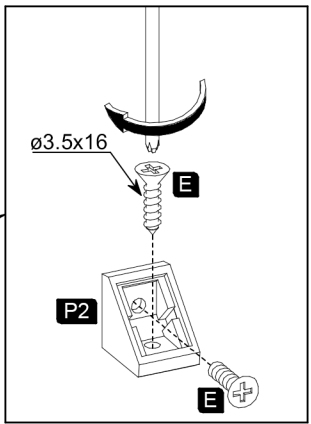
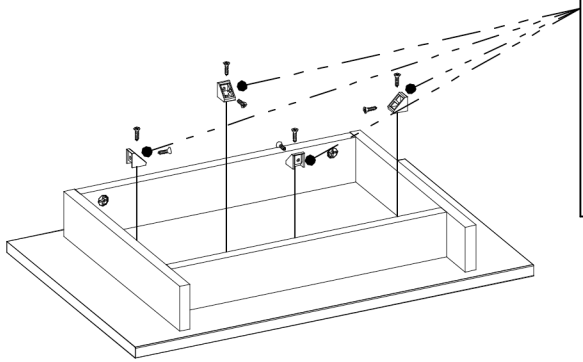
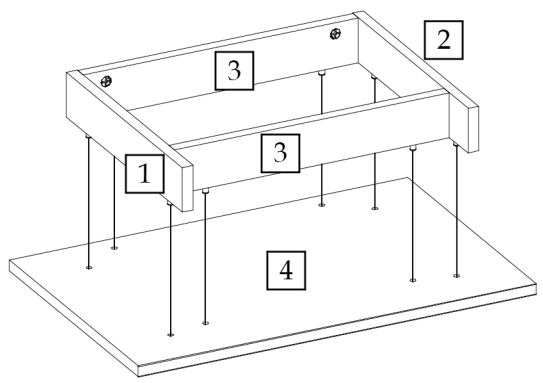
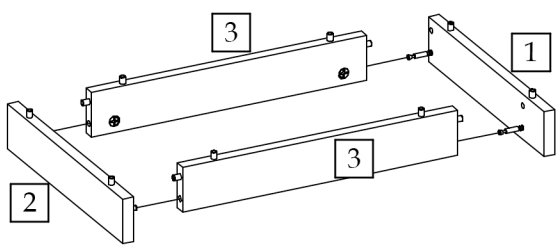
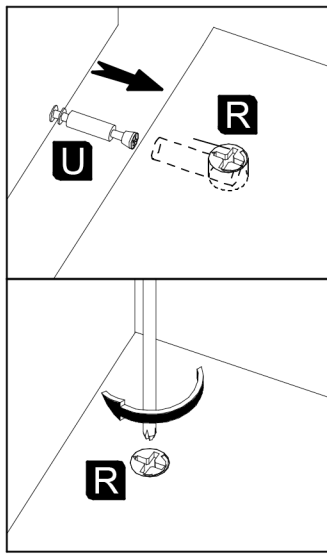
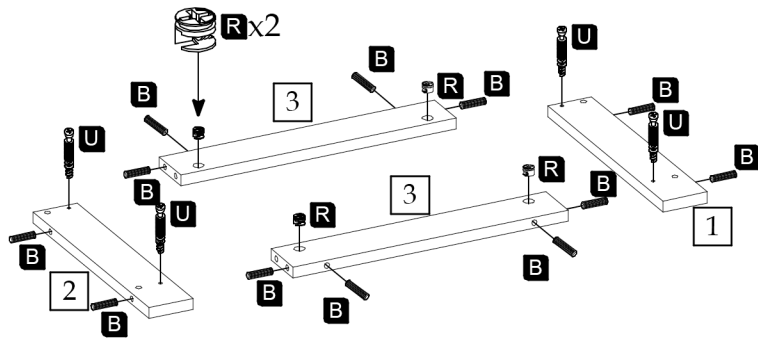
B x24	C1 x4	E x32	E8 x2	G3 x8
L3 x16	L4 x2	M1 x1	P x14	P2 x4
R x16	T x8	U x16	W3 x1	Y x1
Z2 x16				

Element symbol	Measurements	Code	Paket
1	341 65 16 1	1001	1/2
2	341 65 16 1	1003	1/2
3	407 65 16 2	1004	1/2
4	589 380 16 1	1005	1/2
5	589 380 16 1	1006	1/2
6	1905 378 16 1	1007	1/2
7	1905 378 16 1	1008	1/2
8	555 323.5 16 1	1009	1/2
9	555 331 16 4	N/A	1/2
10	1919 568 3 1	N/A	1/2
11	1900 550 16 1	3003	2/2

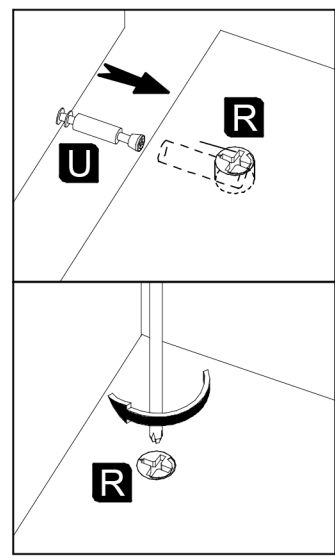
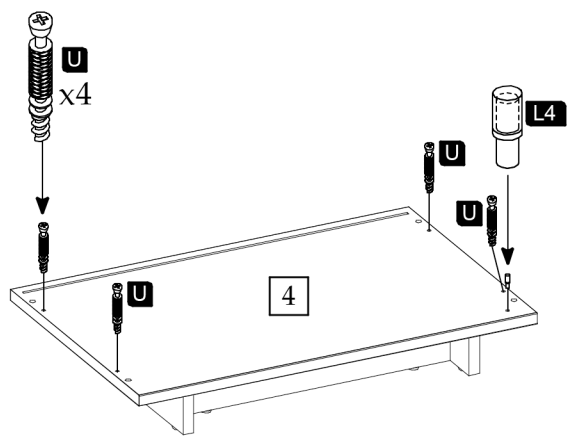


1

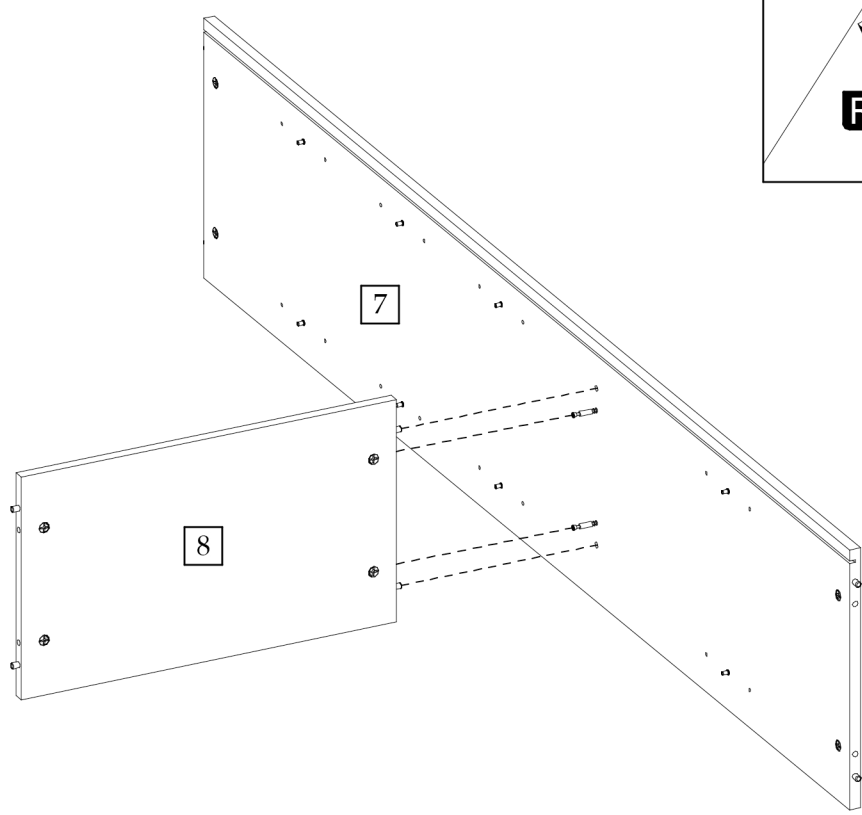




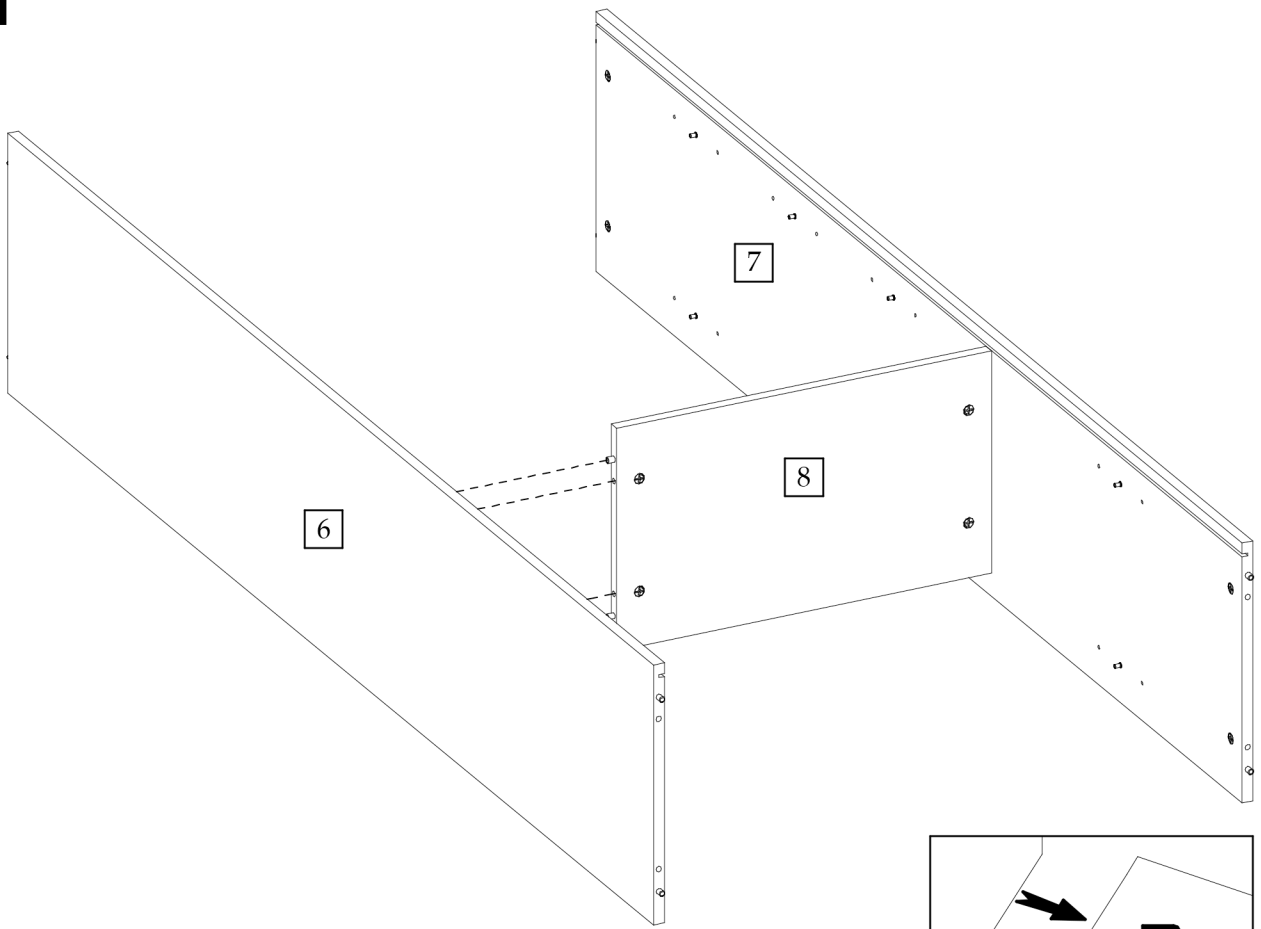
3



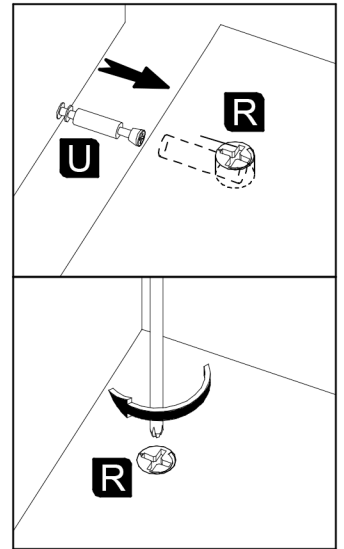
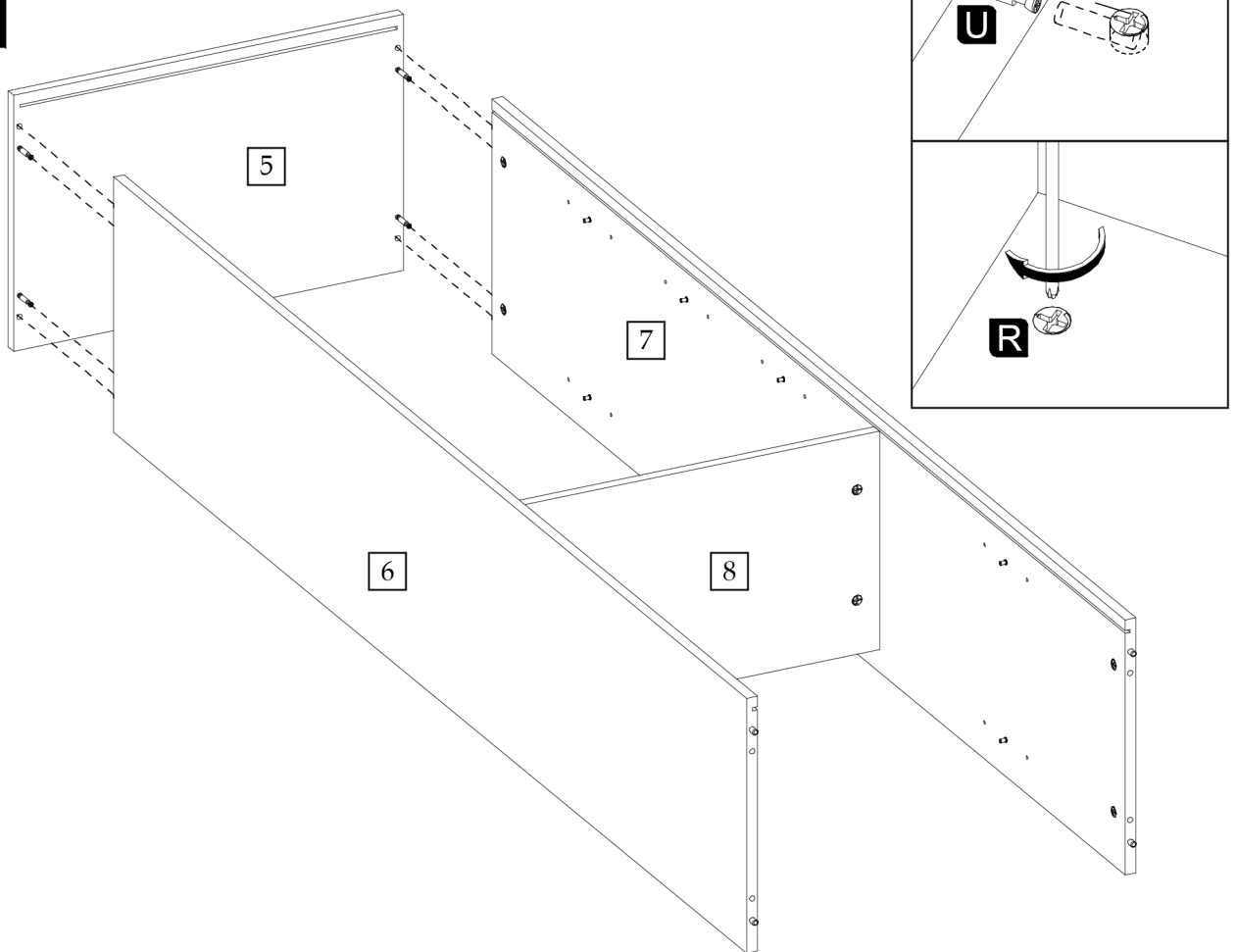
4



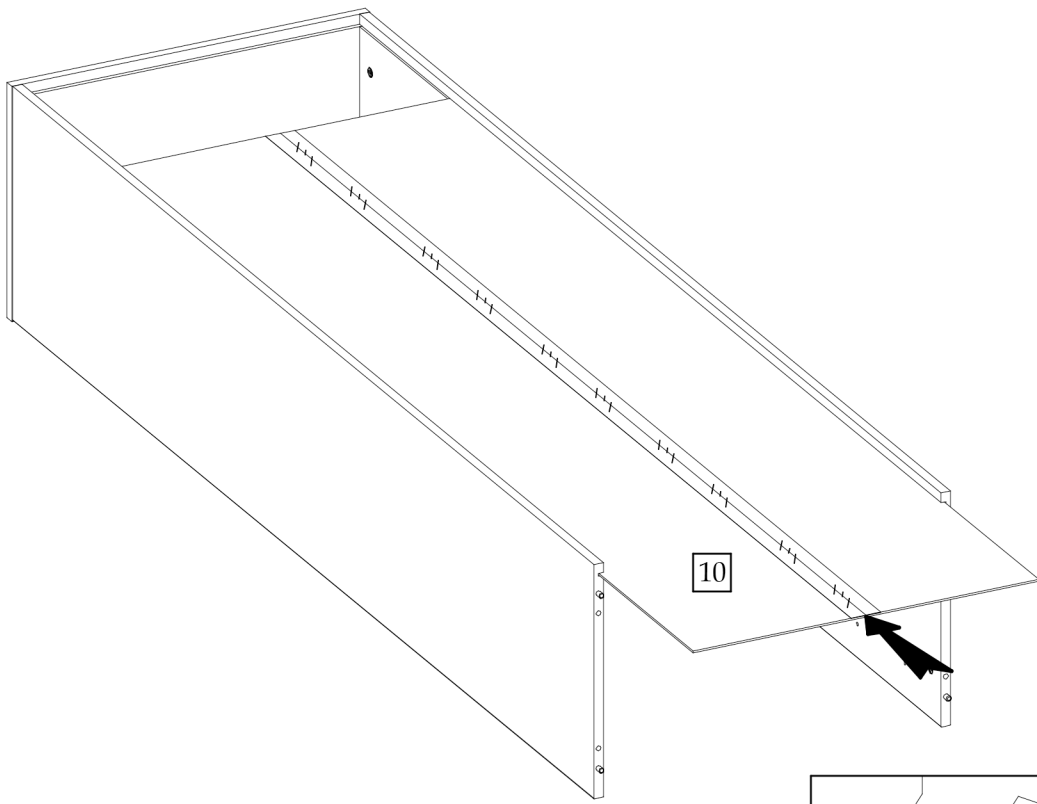
5



6



7



8

